

Multi-Point Inspection Checklist Per Manufacturer's Recommendation

Customer Name: _____ Year/Model: _____ Date: _____

RO/Tag: _____ Mileage: _____

OKAY AT THIS TIME

MAY REQUIRE FUTURE ATTENTION

REQUIRES PROMPT ATTENTION

CHECK FLUID LEVELS AND FILL

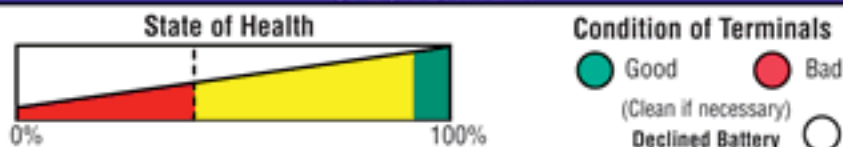
| OK | FILL | OK | FILL | OK | FILL |
|-----------------------|-----------------------|-----------------------|-----------------------|---------------------------|-----------------------|
| <input type="radio"/> | <input type="radio"/> | <input type="radio"/> | <input type="radio"/> | <input type="radio"/> | <input type="radio"/> |
| Engine Oil | | Brake Reservoir | | Power Steering | |
| <input type="radio"/> | <input type="radio"/> | <input type="radio"/> | <input type="radio"/> | <input type="radio"/> | <input type="radio"/> |
| Transmission | | Window Washer | | Coolant Recover Reservoir | |

RECOMMENDED SCHEDULED MAINTENANCE SERVICES

| | | | |
|-----------------------|---------------------|-----------------------|-------------------------|
| <input type="radio"/> | Oil Change | <input type="radio"/> | Fuel Filter |
| <input type="radio"/> | Oil Filter | <input type="radio"/> | Cabin Air Filter |
| <input type="radio"/> | Engine Air Filter | <input type="radio"/> | Spark Plugs |
| <input type="radio"/> | Engine Coolant | <input type="radio"/> | Tire Rotation |
| <input type="radio"/> | Transmission Fluid | <input type="radio"/> | Seat Filter |
| <input type="radio"/> | Transmission Filter | <input type="radio"/> | Accessory Drive Belt(s) |

Comments: _____

CHECK BATTERY

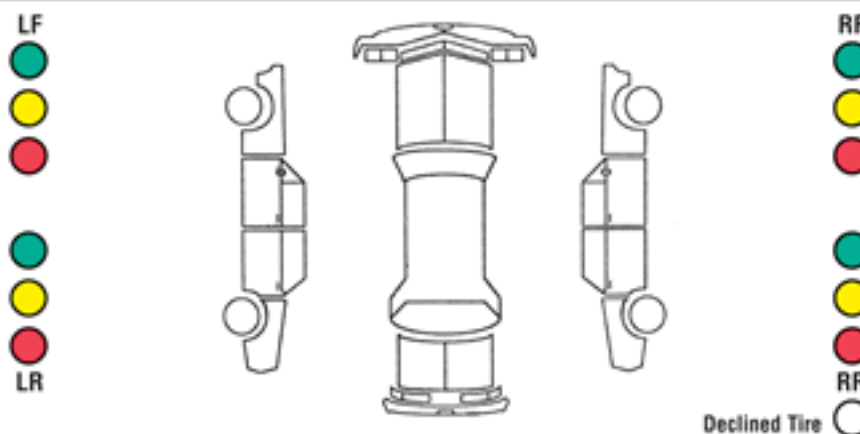


CHECK FOLLOWING SYSTEMS/COMPONENTS

| OK | MAY REQUIRE FUTURE ATTENTION | REQUIRES PROMPT ATTENTION | Declined |
|---|------------------------------|---------------------------|--------------------------|
| <input type="radio"/> | <input type="radio"/> | <input type="radio"/> | <input type="checkbox"/> |
| Operation of horn, interior lights, exterior lamps, turn signals, hazard and brake lamps | | | |
| <input type="radio"/> | <input type="radio"/> | <input type="radio"/> | <input type="checkbox"/> |
| Radiator, heater, and air-conditioning hoses for leaks and damage | | | |
| <input type="radio"/> | <input type="radio"/> | <input type="radio"/> | <input type="checkbox"/> |
| Windshield for cracks, chips and pitting | | | |
| <input type="radio"/> | <input type="radio"/> | <input type="radio"/> | <input type="checkbox"/> |
| Windshield washer spray, wiper operation and wiper blades | | | |
| <input type="radio"/> | <input type="radio"/> | <input type="radio"/> | <input type="checkbox"/> |
| Accessory drive belt(s) | | | |
| <input type="radio"/> | <input type="radio"/> | <input type="radio"/> | <input type="checkbox"/> |
| Brake system (including lines, hoses, and parking brake) and wheel end for end-play and bearing noise | | | |
| <input type="radio"/> | <input type="radio"/> | <input type="radio"/> | <input type="checkbox"/> |
| Clutch operation (if equipped) | | | |
| <input type="radio"/> | <input type="radio"/> | <input type="radio"/> | <input type="checkbox"/> |
| Constant velocity (CV) drive axle boots (if equipped) | | | |
| <input type="radio"/> | <input type="radio"/> | <input type="radio"/> | <input type="checkbox"/> |
| Drive shaft, transmission, u-joint and shift linkage (if equipped) and lubricate (as needed) | | | |
| <input type="radio"/> | <input type="radio"/> | <input type="radio"/> | <input type="checkbox"/> |
| Engine Cooling system, hoses and clamps | | | |
| <input type="radio"/> | <input type="radio"/> | <input type="radio"/> | <input type="checkbox"/> |
| Exhaust system (leaks, damage, loose parts) | | | |
| <input type="radio"/> | <input type="radio"/> | <input type="radio"/> | <input type="checkbox"/> |
| Oil and/or fluid leaks | | | |
| <input type="radio"/> | <input type="radio"/> | <input type="radio"/> | <input type="checkbox"/> |
| Shocks/struts and other suspension components for leaks and/or damage | | | |
| <input type="radio"/> | <input type="radio"/> | <input type="radio"/> | <input type="checkbox"/> |
| Steering and steering linkages | | | |
| STATE INSPECTION DUE (IF APPLICABLE) _____ / _____ / _____ | | | |
| | | | MONTH DAY YEAR |

Comments: _____

CHECK BRAKES - MEASURE FRONT/REAR BRAKE LININGS



Over 5mm or 7/32" (Disc) or Over 2mm or 3/32" (Drum)

3 to 5mm or 4/32" to 7/32" (Disc) or 1.01 to 2mm (Drum) or 2/32" to 3/32"

Less than 3mm or 4/32" (Disc) or 1mm or 2/32" or Less (Drum)

BRAKE MEASUREMENTS NOT TAKEN THIS SERVICE VISIT

Comments: _____

Service Advisor: _____

Technician: _____

CHECK TIRES

| LF | TREAD DEPTH | RF |
|-------------------------------------|------------------|--|
| <input type="radio"/> | 7/32" or Greater | 7/32" or Greater <input type="radio"/> |
| <input type="radio"/> | 4/32" to 6/32" | 4/32" to 6/32" <input type="radio"/> |
| <input type="radio"/> | 3/32" or less | 3/32" or less <input type="radio"/> |
| <input type="radio"/> | 7/32" or Greater | 7/32" or Greater <input type="radio"/> |
| <input type="radio"/> | 4/32" to 6/32" | 4/32" to 6/32" <input type="radio"/> |
| <input type="radio"/> | 3/32" or less | 3/32" or less <input type="radio"/> |
| LR | | RR |
| <input type="radio"/> | | <input type="radio"/> |
| Declined Tire <input type="radio"/> | | |

WEAR PATTERN/DAMAGE

 LF RF
 LR RR

TIRE WEAR INDICATES:

Alignment Check Needed Wheel Balance Needed

Comments: _____

TIRE PRESSURE SET TO FACTORY RECOMMENDED PSI

Front Rear

Customer Signature: _____